

LAMINEX® PARTITIONING SYSTEMS

SMF - SKIRT MOUNTED, FREESTANDING

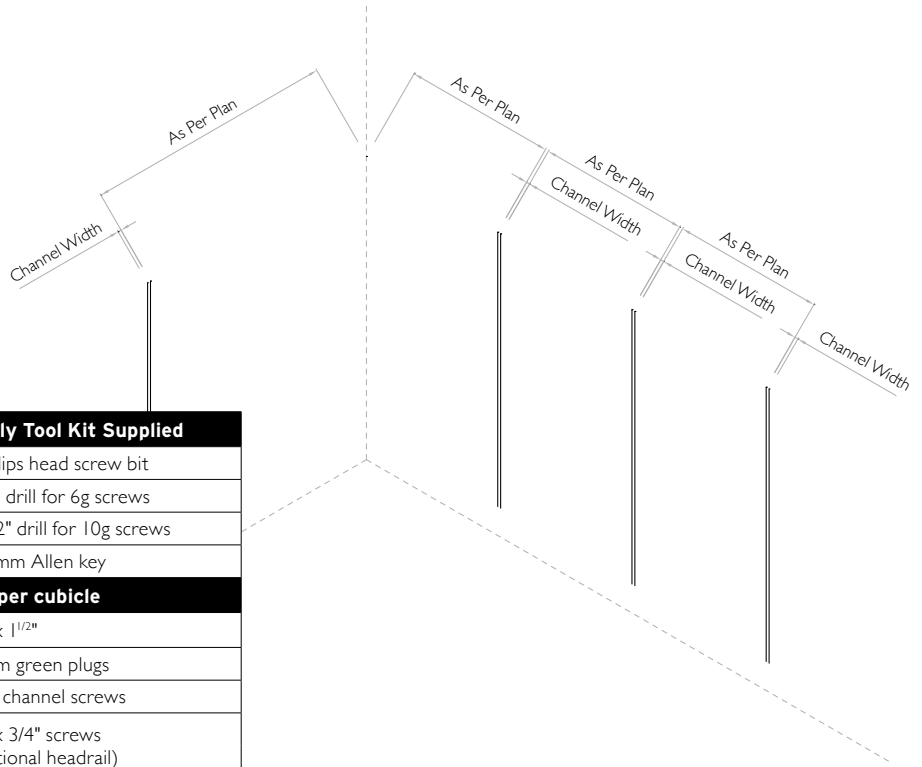


INSTALLATION GUIDE
Including Preschool range

Laminex®
Inspire your space

STEP 1

Mark out for wall channels to house partitions as per the supplied plan.



Floor Mount Tool Kit Supplied

1	Mag nut setter
1	8mm masonry bit
1	Spanner
1	8.5mm drill for bolts
1	5mm Allen key

Screws per cubicle

3	5mm coach screws
3	8mm orange plugs
2	8mm long bolts & nuts (bottom)
2	8mm short bolts & nuts (top)

Assembly Tool Kit Supplied

1	Phillips head screw bit
1	1/8" drill for 6g screws
1	5/32" drill for 10g screws
1	2.5mm Allen key

Screws per cubicle

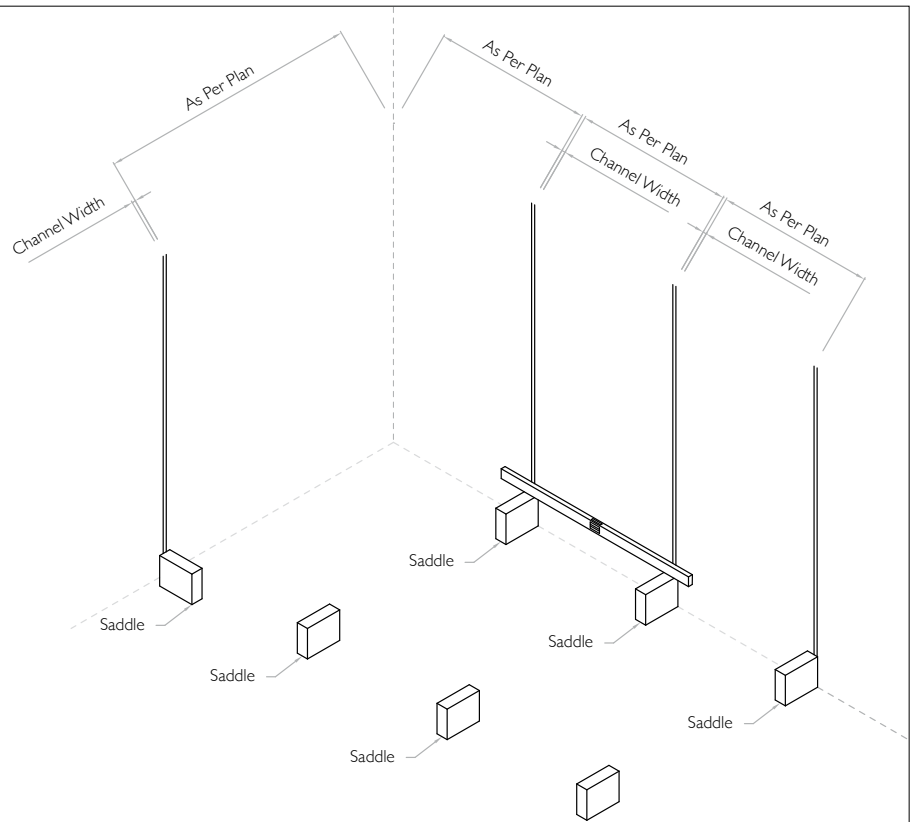
8	8g x 1 1/2"
8	6mm green plugs
10	10g channel screws
3	6g x 3/4" screws (optional headrail)

STEP 2

Position saddles under the channel markings.

With a level, find the lowest saddle which is 172mm (standard) or otherwise nominated on the plans.

Level all other saddles down from the lowest saddle so as the nominated saddle height is highest saddle.



STEP 3

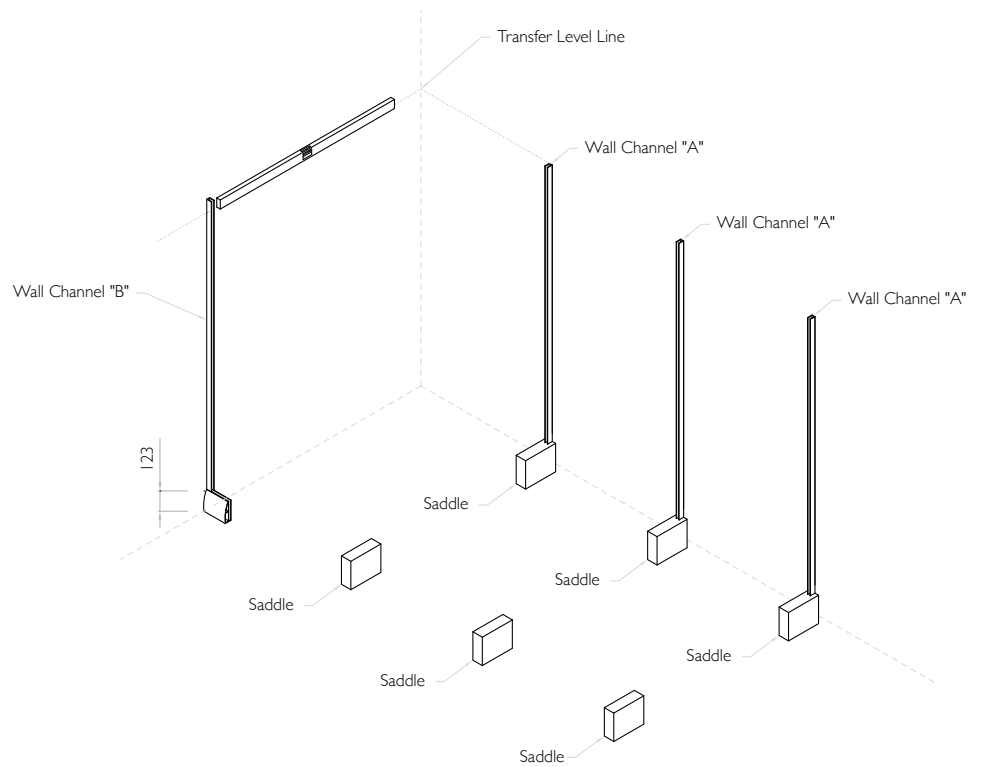
Fix channel "A" to back wall by placing on top of the leveled saddles.

DO NOT CUT

Level across from the top of channel "A" to wall markings for wall channel "B". This will give the starting point.

Holding the channel to the correct level measure up from the floor 122mm and mark wall channel "B".

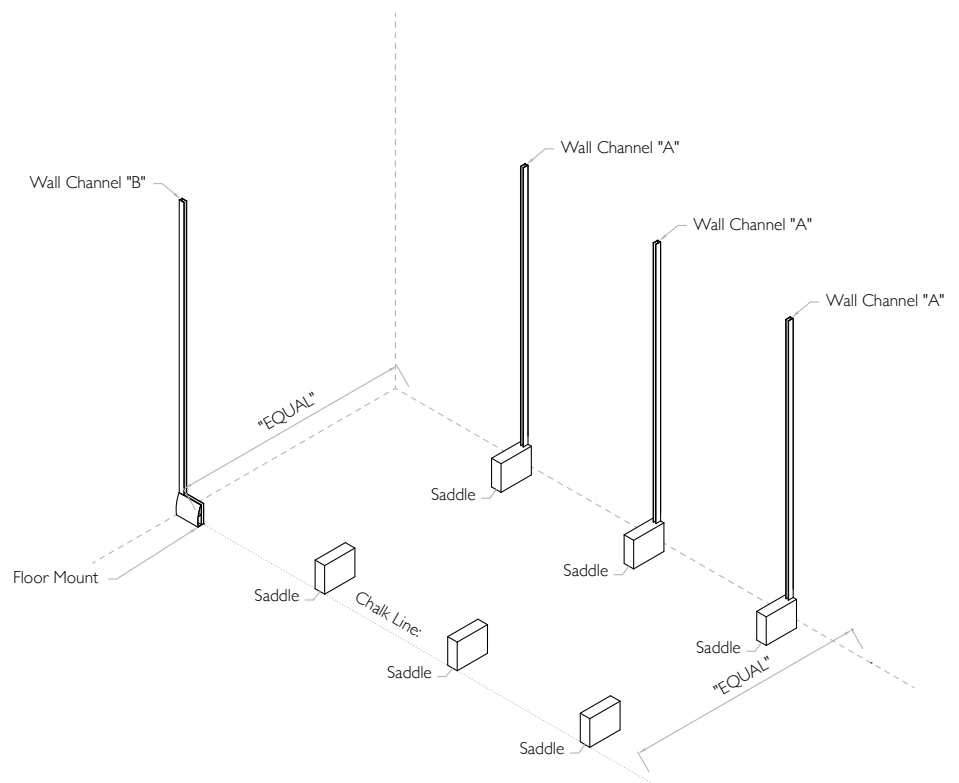
This will give you the cut and installation size. Fit to wall.



STEP 4

Draw a chalk line level with the inside edge of wall channel "B" to an equal distance from the opposite end.

This mark will give you the back edge of the floor mounts.



STEP 5

Place end nib into channel and level.

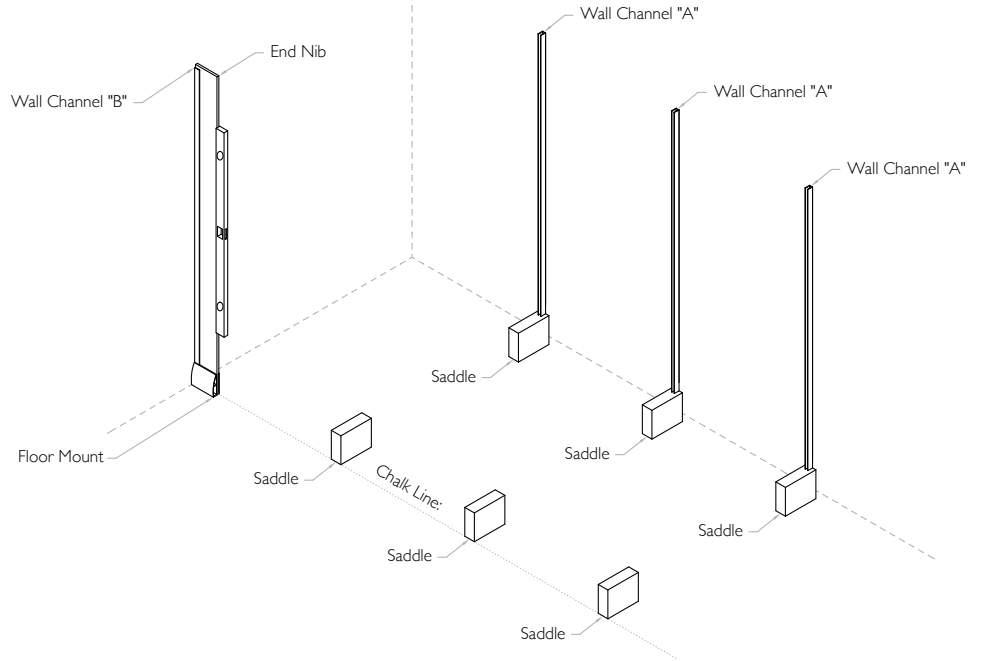
Mark floor to get measurement for end floor mount.

Cut floor mount 1mm longer.

Cut the floor mount on end butting into the wall.

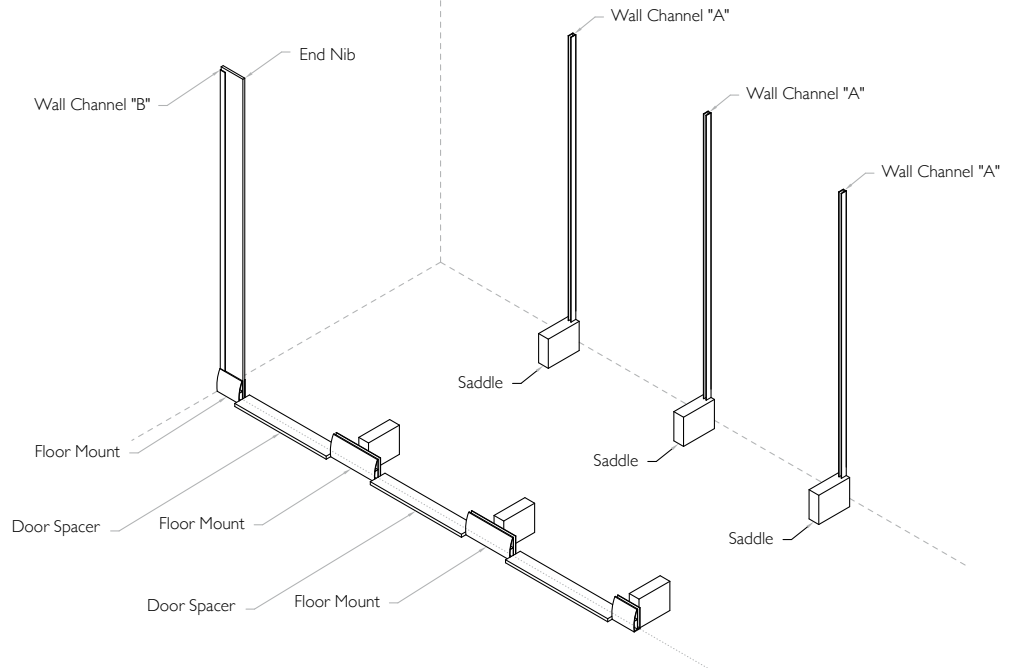
Fit floor mount to floor as per 'Fixing the Floor Mount System.'

Fit the end nib to the channel and floor mount.



STEP 6

Place door spacers and floor mounts into position to check the overall dimensions.



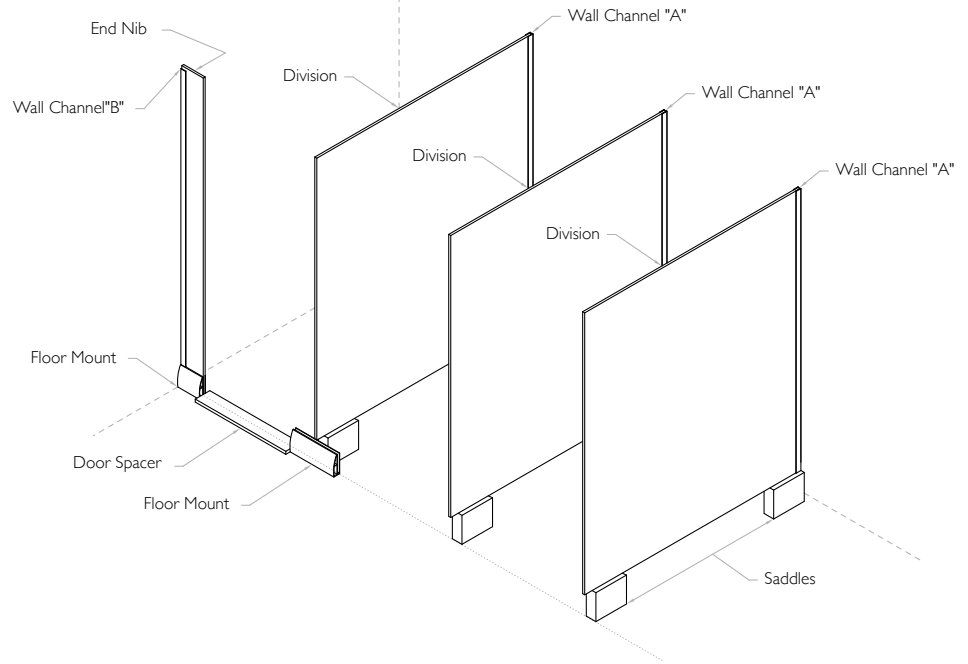
STEP 7

Locate all divisional panels into the rear channels "A" resting onto the saddles.

DO NOT SCREW OFF YET

Fit the floor mount for the corresponding frontal hard against the door spacer.

Ensure that the back is level with the chalk line.



STEP 8

Fit door hardware and hinges to door and nib. Fit wall channel "A" to the back of the frontal into the pre-drilled holes. Hang the door onto the end nib.

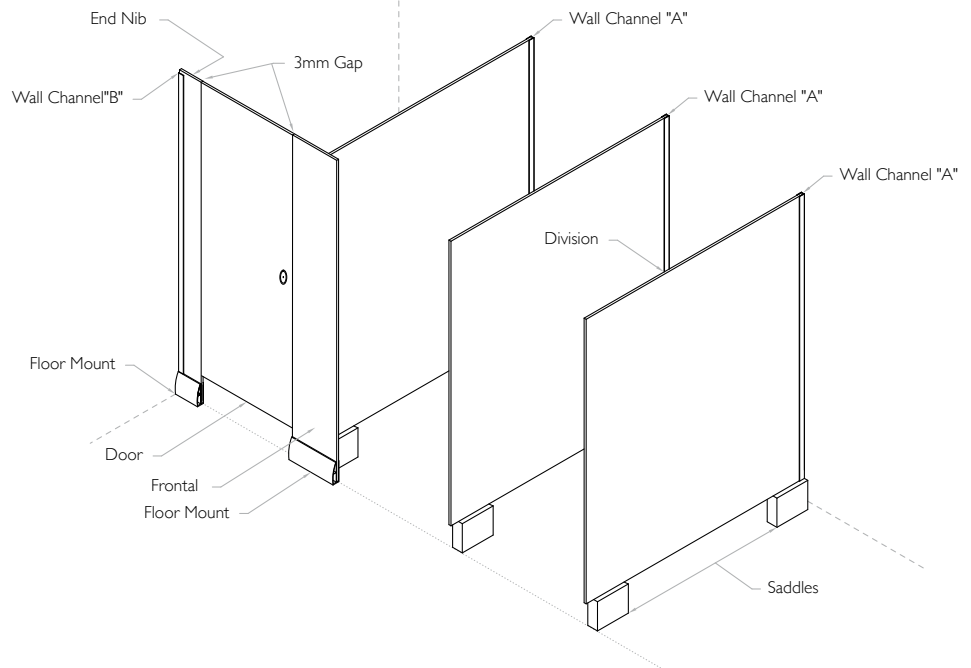
Place frontal over the division into position. The top height of the levelled division will give you the height of the frontal.

Measure from the floor to the height of the division, deduct 10mm for the cutting measurement of the frontal. Material can be cut using a jigsaw. Ensure that any deduction is made to the bottom of the panel.

Close the door and use 3mm packers between the frontal and door. Door frontal and division should be aligned.

Fit frontal as per 'Fixing the Floor Mount System.'

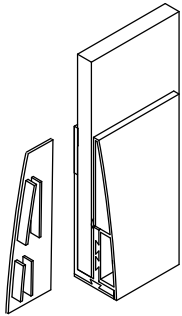
Repeat for additional doors.



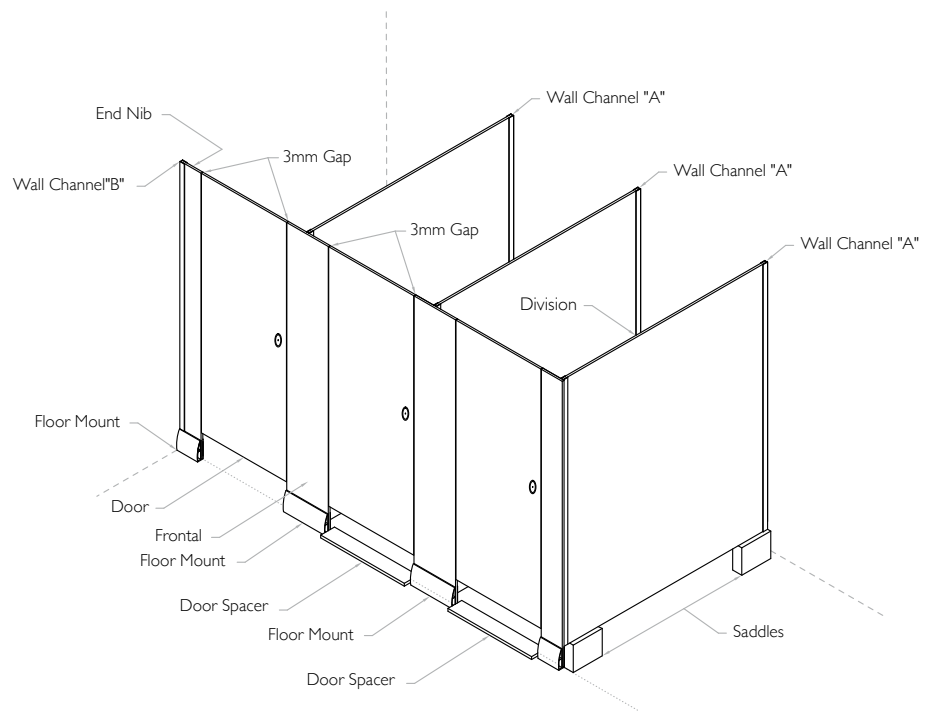
STEP 9

When all cubicles have been assembled, place a string line across the fronts at the top of the cubicles.

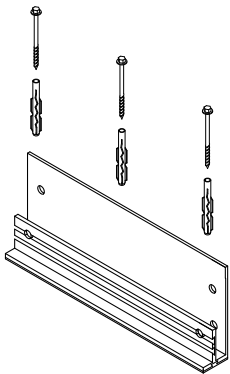
Once all the fronts are lined up, divisions and end panels can be screwed off from the channels.



Apply silicon to the raised tongues and to the back of the end caps and gently tap into position.

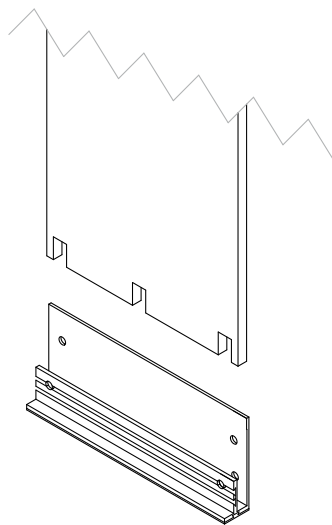


FIXING THE FLOOR MOUNT SYSTEM



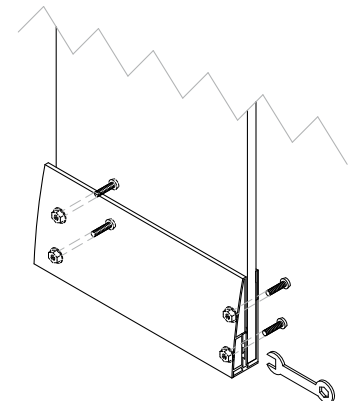
Step 1

Position the backing plate and mark holes. Drill into the floor with the supplied masonry bit. Fit orange plugs into the holes. Apply silicon to underside of the floor mount and fix with coach screws supplied.



Step 2

Fit and scribe the bottom of nibs and frontals to the required site level. (Height-10mm) This will keep the cut edge concealed in the floor mount.



Step 3

Fit the front plate onto the back plate. Fit board into position and level. Clamp Floor mount to sandwich the board firm. With the 8.5mm bit, drill the board through the selected holes provided in the aluminium. Hold nut inside the front plate and screw fix together.

Also available in the Laminex® partitioning range:



Laminex®
Inspire your space

 For more inspiration join us on [facebook.com/thelaminexgroupau](https://www.facebook.com/thelaminexgroupau)

For a sample call 1800 002 204. For more information visit laminex.com.au or call 132 136

Laminex Partitioning Systems are marketed and distributed by Laminex Group Pty Limited ABN 98 004 093 092, trading as Laminex.

The colours of the products featured within the imagery in this brochure are as close to the Laminex Partitioning Systems range as photographic lighting and our printing processes allow. Different camera angles, although not designed to be misleading, can sometimes distort actual size and distances. Laminex Partitioning Systems range is no different than any other material in that darker colours will always show scratches and superficial wear and tear more readily than lighter colours. Laminex Partitioning Systems should be protected from strong, direct sunlight as continuous exposure may cause discolouration or fading to the surface. Please obtain a copy of the terms and conditions of the applicable warranties from laminex.com.au. This warranty is in addition to any rights that may exist under the Australian Consumer Law. Laminex®